

RevNo	Revision note	Date	Signature	Checked
C	GECKO PACK ELECREICAL ADDITIONS PG 2	6/18/08	DP	AP

**GENERAL SPECIFICATIONS**

Spa Size: \_\_\_ x \_\_\_ Depth: \_\_\_  
 Shape: \_\_\_ Area: \_\_\_ Sq. M  
 Perimeter: \_\_\_ M Volume: \_\_\_ Liters  
 Filter Rate: \_\_\_ LPM Turnover rate: \_\_\_ Hrs.

**EXCAVATION:**

Access: \_\_\_ Min. Width: \_\_\_  
 Fence Removal:  Contr.  Owner  
 Fence Replaced by:  Contr.  Owner  
 Remove Dirt  Leave Dirt   
 Saw Cut  Concrete Removal   
 Soils/Compaction Report  Contr.  Owner  Not Req'd.

**SPA Model:**

Note: Refer to product specification sheet for details

**SPA FILTRATION:**

Filter Type: \_\_\_\_\_  
 Make & Model: \_\_\_\_\_  
 Size: \_\_\_\_\_ Area: \_\_\_\_\_ Sq.Ft.  
 Circulation Pump Model: \_\_\_\_\_ HP: \_\_\_\_\_  
 \_\_\_\_\_ LPM @ \_\_\_\_\_ Ft Head Volts \_\_\_\_\_ PH \_\_\_\_\_  
 Ozone Type \_\_\_\_\_

**HYDRO-THERAPY EQUIPMENT:**

Therapy Pump(s): Model \_\_\_\_\_  
 HP \_\_\_\_\_ LPM \_\_\_\_\_ Volts \_\_\_\_\_ Ph \_\_\_\_\_

**SPA HEATING:**

Fuel: \_\_\_\_\_  Natural Gas  Propane  Oil  
 Make & Model \_\_\_\_\_ BTU Input \_\_\_\_\_  
 Vent Size \_\_\_\_\_ Combustion Ventilation Req'd \_\_\_\_\_ Sq.M  
 Electric: Make & Model \_\_\_\_\_  
 KW \_\_\_\_\_ Phase \_\_\_\_\_ Volts \_\_\_\_\_

**SPA FITTINGS:**

Main Output: Size \_\_\_\_\_ Qty \_\_\_\_\_  
 Skimmers: Type \_\_\_\_\_ Qty \_\_\_\_\_  
 Inlets: Type \_\_\_\_\_ Qty \_\_\_\_\_  
 Therapy Inlets: Type \_\_\_\_\_ Qty \_\_\_\_\_

**SPA PIPING / PLUMBING:**

Filter Plant Face Piping ---- PVC Schedule 40  
 Gas Heater Piping  Copper  Galvanized  
 at four feet (121 cm) preceding and following the heater.  
 Pool Piping ---- PVC Schedule 40 (Size as per plan)

POOL/SPA CONTRACTOR TO IDENTIFY ALL VALVES & PIPING

**ADDITIONAL:**

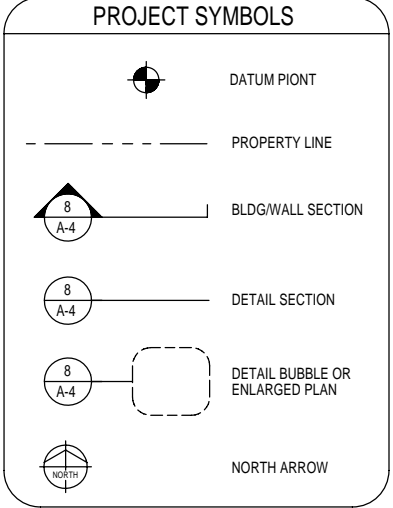
CONTRACTOR LICENSE(S):

**SITE INFORMATION**

**IMPORTANT NOTE FOR GENERAL CONTRACTOR**  
 AT ALL NEW SERVICES & GROUNDING TRENCHES  
 PROVIDE "WARNING" TAPE AT 30.45cm BELOW GRADE

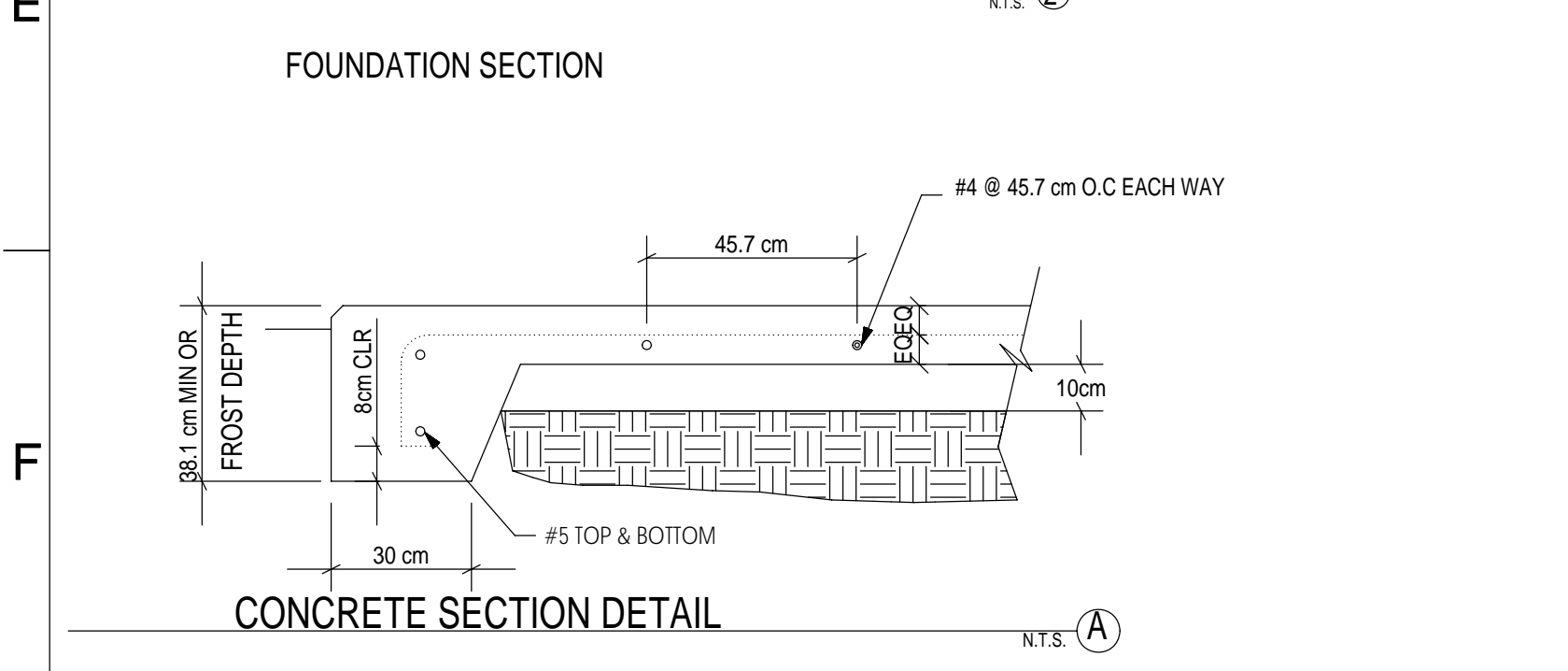
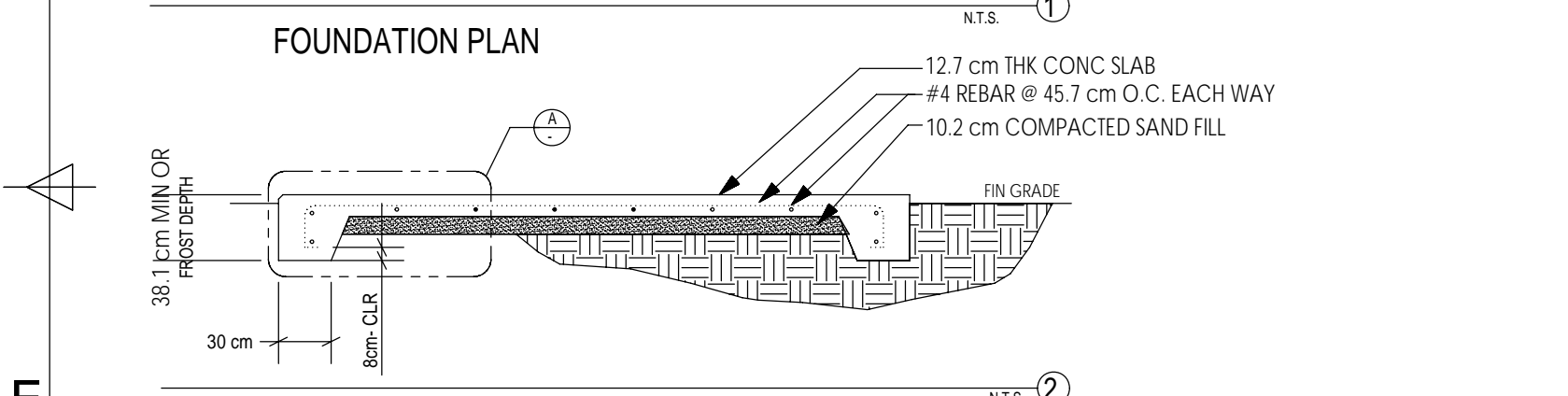
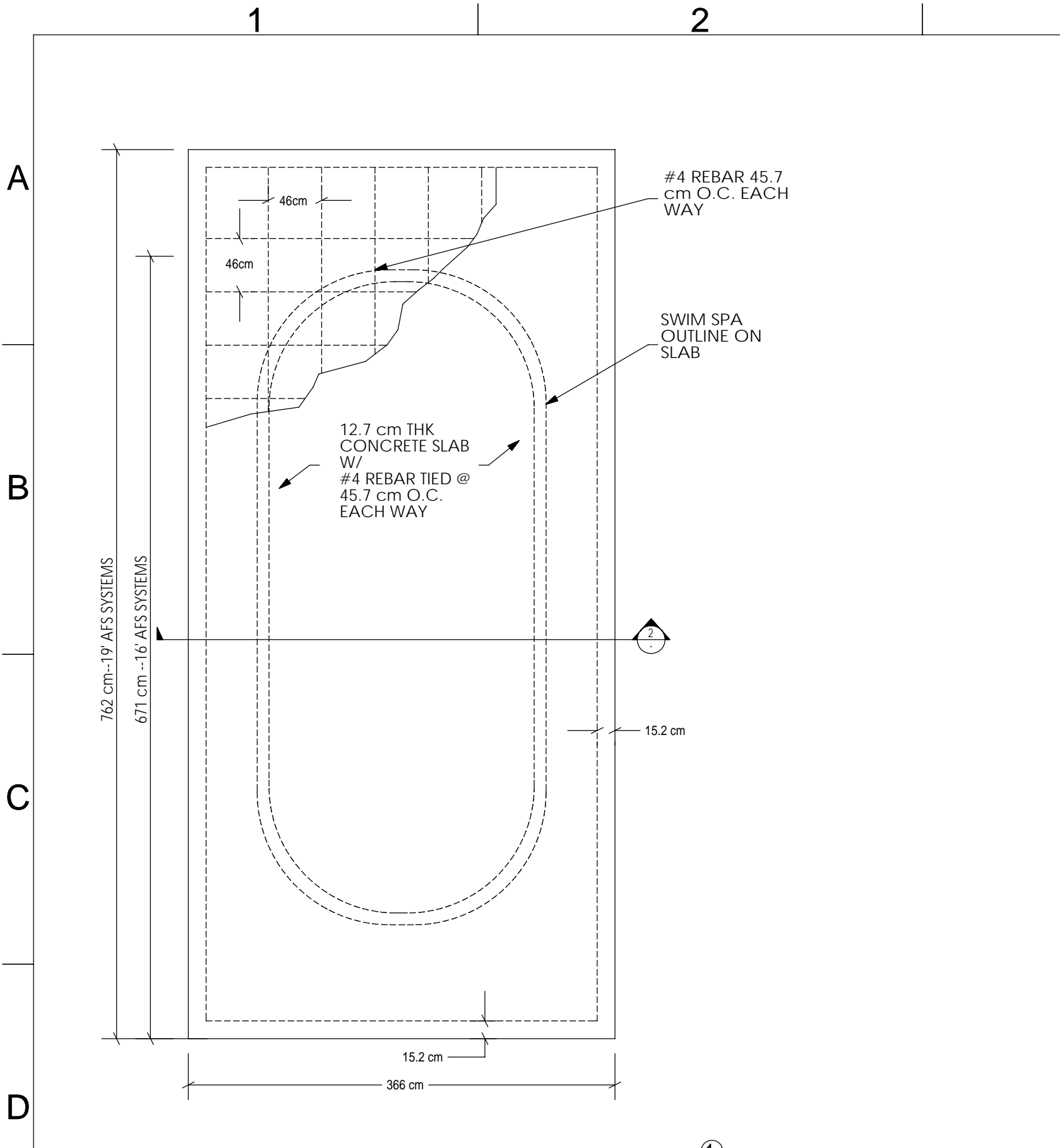
**GENERAL CONDITIONS**

- ANY SUBSTITUTIONS, REVISIONS OR ADDITIONS TO THE PLANS ARE TO BE APPROVED IN THE FIELD W/OWNER OR ARCHITECT CONTRACTOR WILL TAKE FULL RESPONSIBILITY FOR ADJUSTMENTS TO ANY MATERIAL OR WORK THAT IS NOT APPROVED
- ALL WORK IS TO BE PERFORMED BY LICENSED, INSURED FIRMS WHO ARE ACTIVE & EXPERIENCED IN THE RESPECTIVE TRADES REPRESENTED ON THE DWGS & EXECUTED TO THE HIGHEST STANDARDS OF THOSE TRADES.
- CONTRACTOR SHALL COORDINATE HIS WORK W/ ALL RELATED TRADES
- ALL WORK SHALL BE IN COMPLIANCE W/ ALL LOCAL CODES, ORDINANCES & MFG INSTRUCTIONS & SPECIFICATIONS
- ALL WORK IS SUBJECT TO APPROVAL OF THE OWNER/ARCH OR THERE REPRESENTATIVE.
- VERIFY ALL DIM ON SITE & NOTIFY THE OWNER/ARCH OF ANY DISCREPENCIES PRIOR TO CONSTRUCTION. DO NOT PROCEED UNTIL ANY NECESSARY ADJUSTMENT ARE MADE
- PROVIDE FOR RACEWAYS FOR OTHER TRADES UNDER SLABS & FOOTINGS (SUCH AS POOL, PLUMBING, IRRIGATION, ELEC ETC.)
- CONTRACTOR SHALL PROVIDE ALL LABOR, EQUIP, MATERIALS & SUPPLIES TO INSTALL ALL WORK ON THE PLANS & AS SPECIFIED HEREIN
- CONTRACTOR SHALL OBTAIN & PAY FOR ALL REQUIRED INSPECTIONS PERMITS & FEES. PROVIDE NOTICES REQD BY GOVERNMENTAL AUTHORITIES. FILE DWGS AS NECESSARY. SCHEDULE INSPECTIONS & TESTS & SUBMIT CERTIFICATES OF APPROVAL UPON COMPLETION
- CONTRACTOR SHALL PROMPTLY NOTIFY THE OWNER/ARCH OF ANY WORK OUTLINED ON THE PLANS OR SPECS THAT IS NOT IN ACCORDANCE W/APPLICABLE LAWS, CODES & REGULATIONS. W/OUT SUCH NOTICE & APPROPRIATE MODIFICATIONS BY OWNER/ARCH, THE CONTRACTOR ASSUMES FULL RESPONSIBILITY FOR ANY WORK EXECUTED WHICH IS CONTRARY TO SUCH LAWS, CODES & REGULATIONS
- DUE TO MANUFACTURING TOLERANCES THERE COULD BE SOME MINOR DIFFERENCES BETWEEN THE ACTUAL MEASUREMENTS OF YOUR SPA AND THE DRAWINGS INDICATED HERE. IF SITE PLANNING IS CRITICAL TO SUCH TOLERANCES, BE SURE TO MEASURE YOUR ACTUAL SPA.
- ALL DIMENSIONS ARE IN CENTIMETERS.



N.T.S. ①

Itemref	Quantity	Title/Name, designation, material, dimension etc	Article No./Reference
Designed by V Walker	Checked by Angelo P	Approved by - date	Filename Date 4-26-02
DIMENSION ONE SPAS		SWIM SPA INTALLATION, EXPORT	
Doc# 199	CR# 4302	SITE INFORMATION	Edition C Sheet 1 OF 3

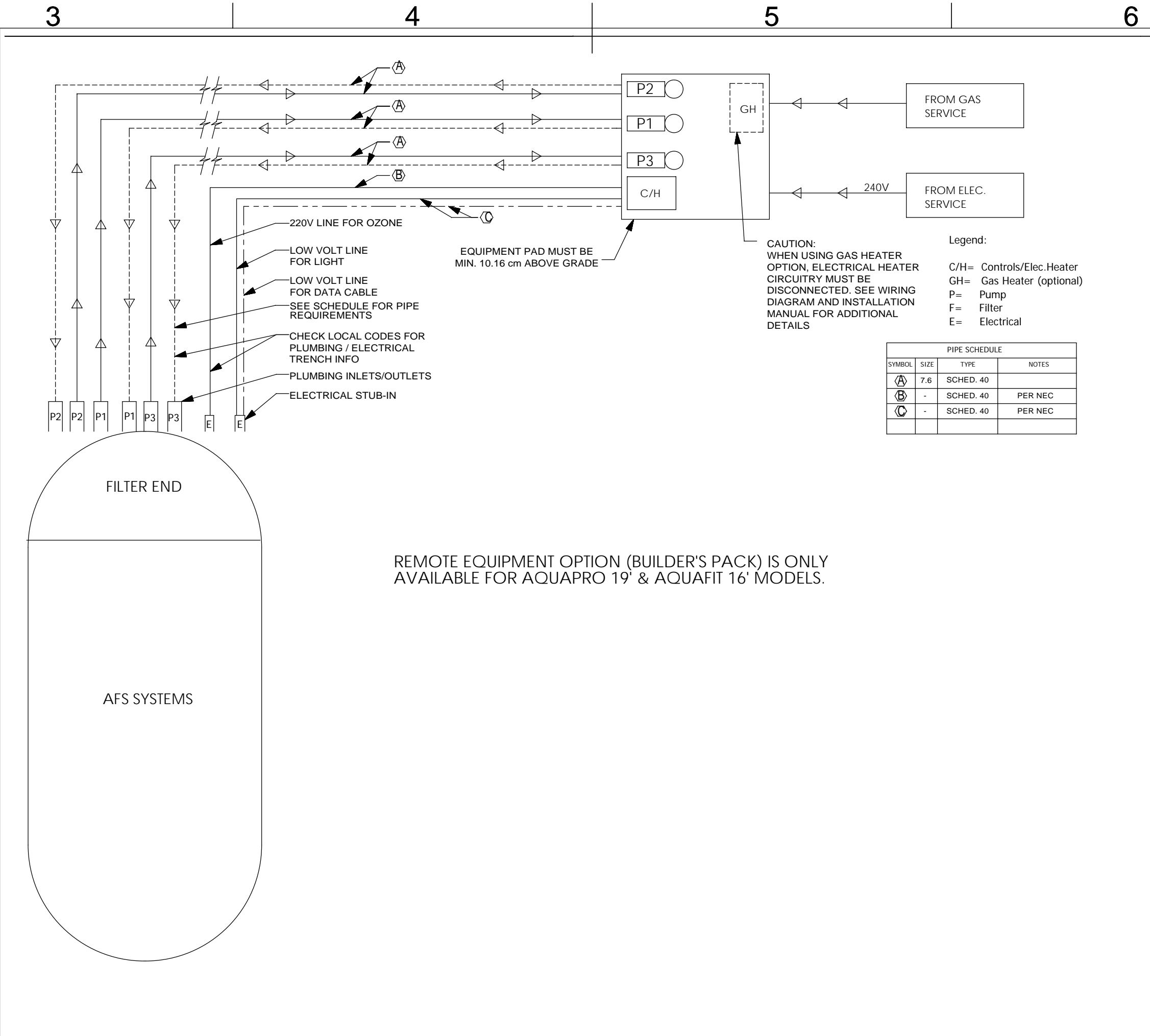


**Foundation:**  
 F1 Prior to slab const, top 15.3 cm of underlying soils shall be scarified & reworked to a min of 2% above optimum moisture content, & recompact to a min of 95% of Standard Proctor Density  
 F2 Contractor to verify soil bearing pressure. Slab design based on assumed soil pressure of 1000 PSF. According to table no. 18-1-A, UBC 1997 pg. 2-49  
 F3 Contractor to provide 2 mil. vapor barrier on 10.2 cm compacted sand after soil preparation

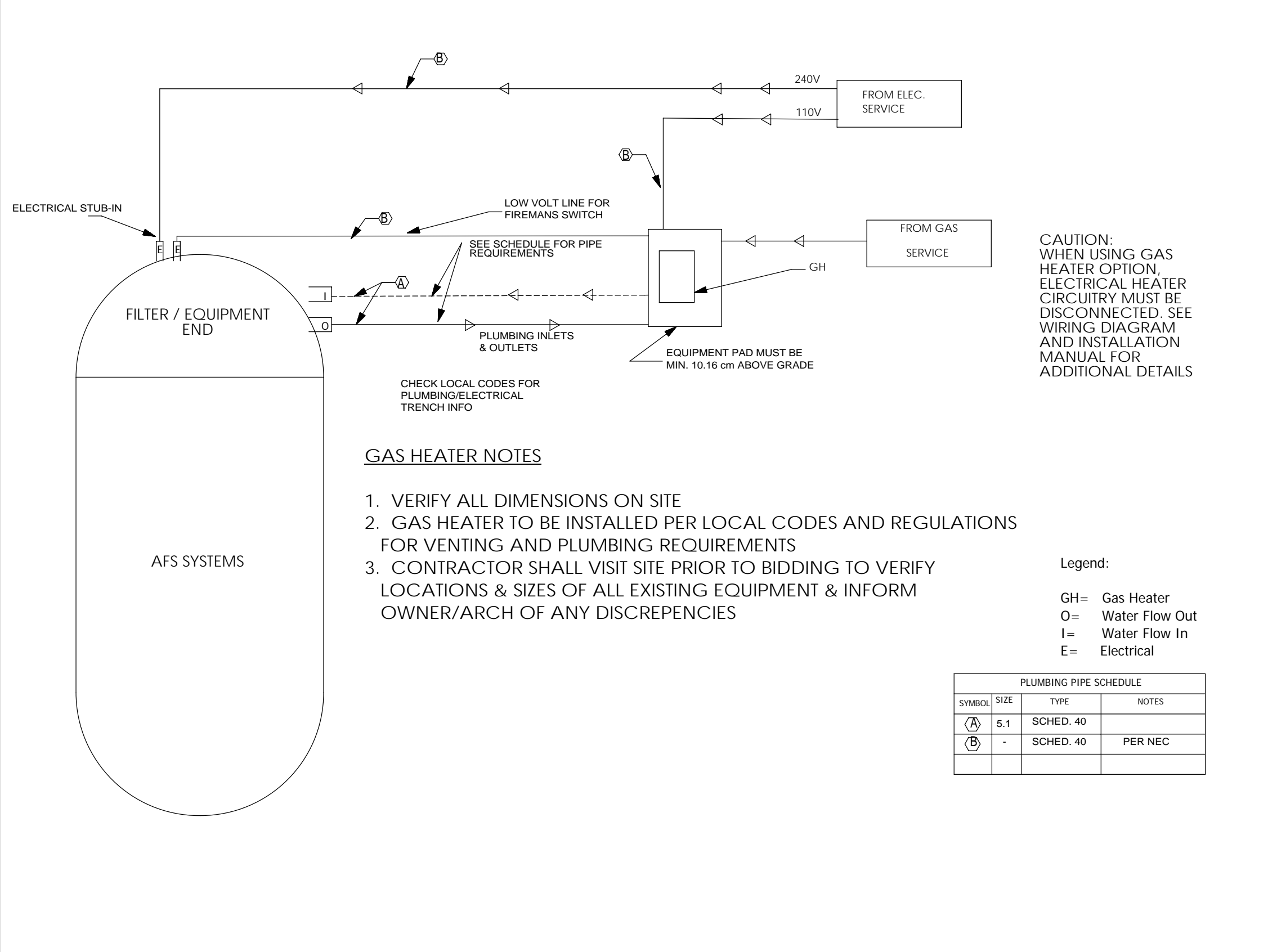
**Reinforcement:**  
 R1 All reinforcement shall conform to ASTM A-615 Grade 60  
 R2 Reinforced steel shall be designed, detailed, fabricated & placed in accordance w/ latest ACI Detailing Manual (SP-40) & CRSI Manual Standard Practice  
 R3 Rebar to overlap 61 cm @ each corner  
 R4 Splices in reinforcement shall occur @ points of minimum stress & lap 40x bar diameter minimum u.n.o.  
 R5 Provide one extra #4 bar x 610 cm into concrete footing for electrical user ground. Verify location of electrical meter w/electrical sub-contractor

**Concrete:**  
 C1 Conc work shall be executed in strict accordance w/latest American Concrete Institute (ACI 318-95)  
 C2 Conc specs shall be as follows:  
 note: 28 Day Strength Aggregate Slump  
 Portland Cement shall conform to ASTM C-150. Aggregate shall conform to ASTM C-33 (2.54 cm max aggregate size)  
 C3 verify in field w/owner location of all depressions, openings, cast-in-place accessories etc. prior to construction

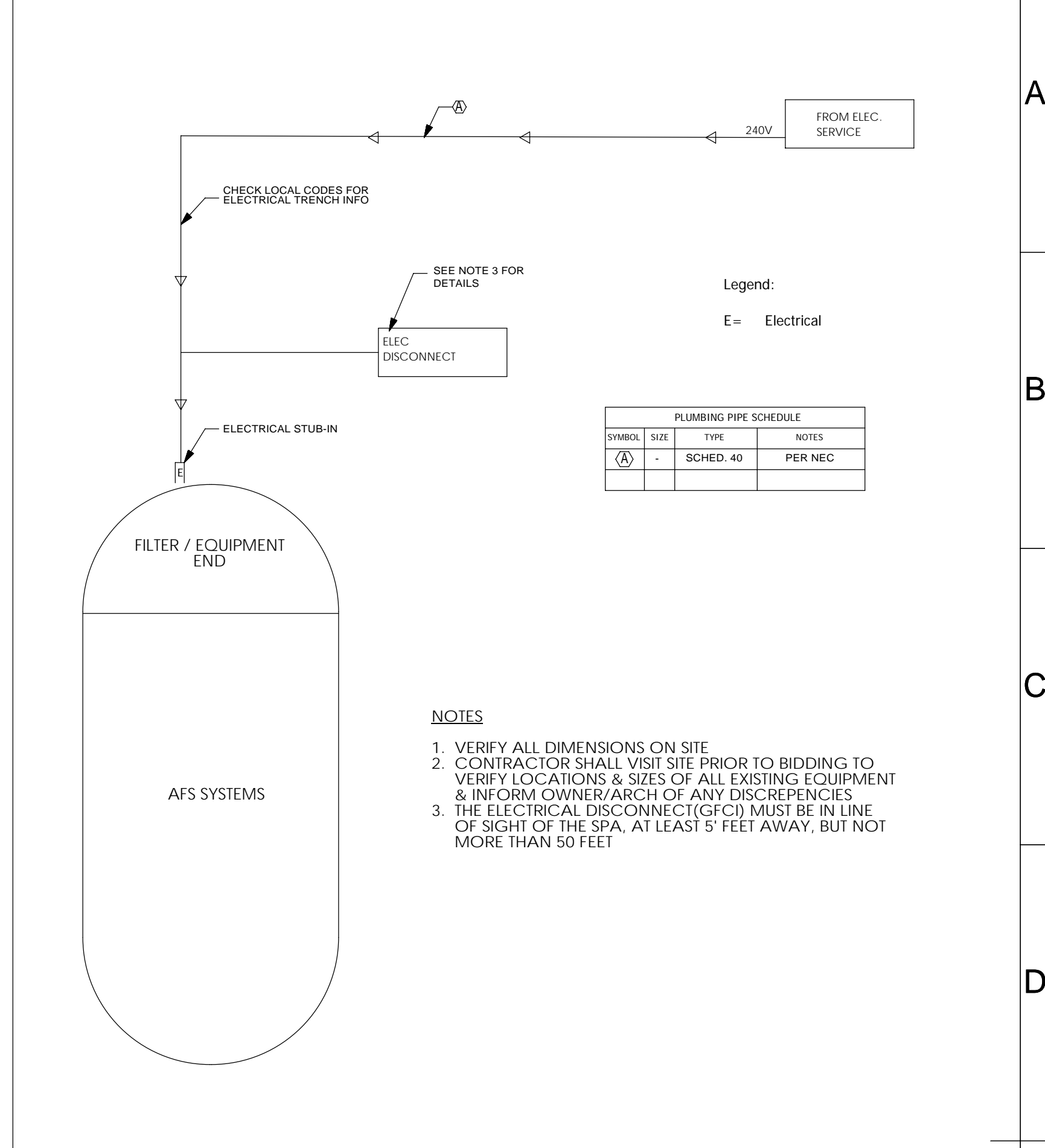
**Caution:**  
 Normal use of the Aquatic Fitness Systems causes large amounts of water to splash out of the unit. these foundation specifications are only for mechanical support of the AFS. Depending on the specific installation, additional provisions will have to be made for proper removal of the water.



REMOTE EQUIPMENT DIAGRAM SCALE: VARIES N.T.S. 2



REMOTE GAS HEATER DIAGRAM SCALE: VARIES 3



SELF CONTAINED DIAGRAM SCALE: VARIES N.T.S. 4

**GENERAL NOTES**

- VERIFY ALL DIMENSIONS ON SITE
- ALL CONCRETE SLABS & FOOTINGS TO BE POURED MONOLITHICALLY
- CONTRACTOR SHALL VISIT SITE PRIOR TO BIDDING TO VERIFY LOCATIONS & SIZES OF ALL EXISTING EQUIPMENT & INFORM OWNER OF ANY DISCREPANCIES
- CONTRACTOR SHALL FURNISH ALL MATERIALS, LABOR, EQUIPMENT, TRANSPORTATION & SERVICES NECESSARY FOR COMPLETION OF WORK. ALL MATERIALS & WORK SHALL COMPLY W/APPLICABLE CODES & GOVERNING REGULATIONS & MEET THE APPROVAL OF THE LOCAL JURISDICTION
- TAKE ALL PRECAUTIONS NECESSARY TO PROTECT THE MATERIALS BEFORE, DURING & AFTER INSTALLATION. IN THE EVENT OF DAMAGE, IMMEDIATELY REPAIR ALL DAMAGED & DEFECTIVE WORK TO THE APPROVAL OF THE OWNER/ARCH AT NO ADDITIONAL COSTS TO THE OWNER
- THESE DRAWINGS ARE DIAGRAMMATIC. CONTRACTOR SHALL BE RESPONSIBLE FOR COORDINATING HIS WORK W/ ALL OTHER TRADES.
- ACCURATE AS-BUILT DRAWINGS SHALL BE MADE DURING CONSTRUCTION & SUBMITTED FOR APPROVAL UPON COMPLETION OF INSTALLATION
- ALL APPLIANCES DESIGNED TO BE FIXED IN POSITION SHALL BE SECURELY FASTENED IN PLACE
- DUE TO MANUFACTURING TOLERANCES THERE COULD BE SOME MINOR DIFFERENCES BETWEEN THE ACTUAL MEASUREMENTS OF YOUR SPA AND THE DRAWINGS INDICATED HERE. IF SITE PLANNING IS CRITICAL TO SUCH TOLERANCES, BE SURE TO MEASURE YOUR ACTUAL SPA.
- EXTENT OF WORK IS INDICATED BY DRAWINGS & SPECIFICATIONS & IS SUBJECT TO THE TERMS & CONDITIONS OF CONTRACT. THE WORK SHALL CONSIST OF FURNISHING ALL LABOR, EQUIP, MATERIALS & SUPPLIES NECESSARY FOR A COMPLETE & OPERATIONAL ELECTRICAL SYSTEM. THIS INCLUDES WORK NOT MENTIONED OR SHOWN WHICH IS NECESSARY FOR SUCCESSFUL OPERATION OF ALL SYSTEMS
- UTILITY SERVICE REQUIREMENTS ARE SHOWN ON DRAWINGS BASED ON INFORMATION AVAILABLE @ THE TIME & IS NOT GUARANTEED
- SEE OWNERS MANUAL FOR ADDITIONAL ELECTRICAL CONNECTION DETAILS

**ELECTRICAL NOTES**

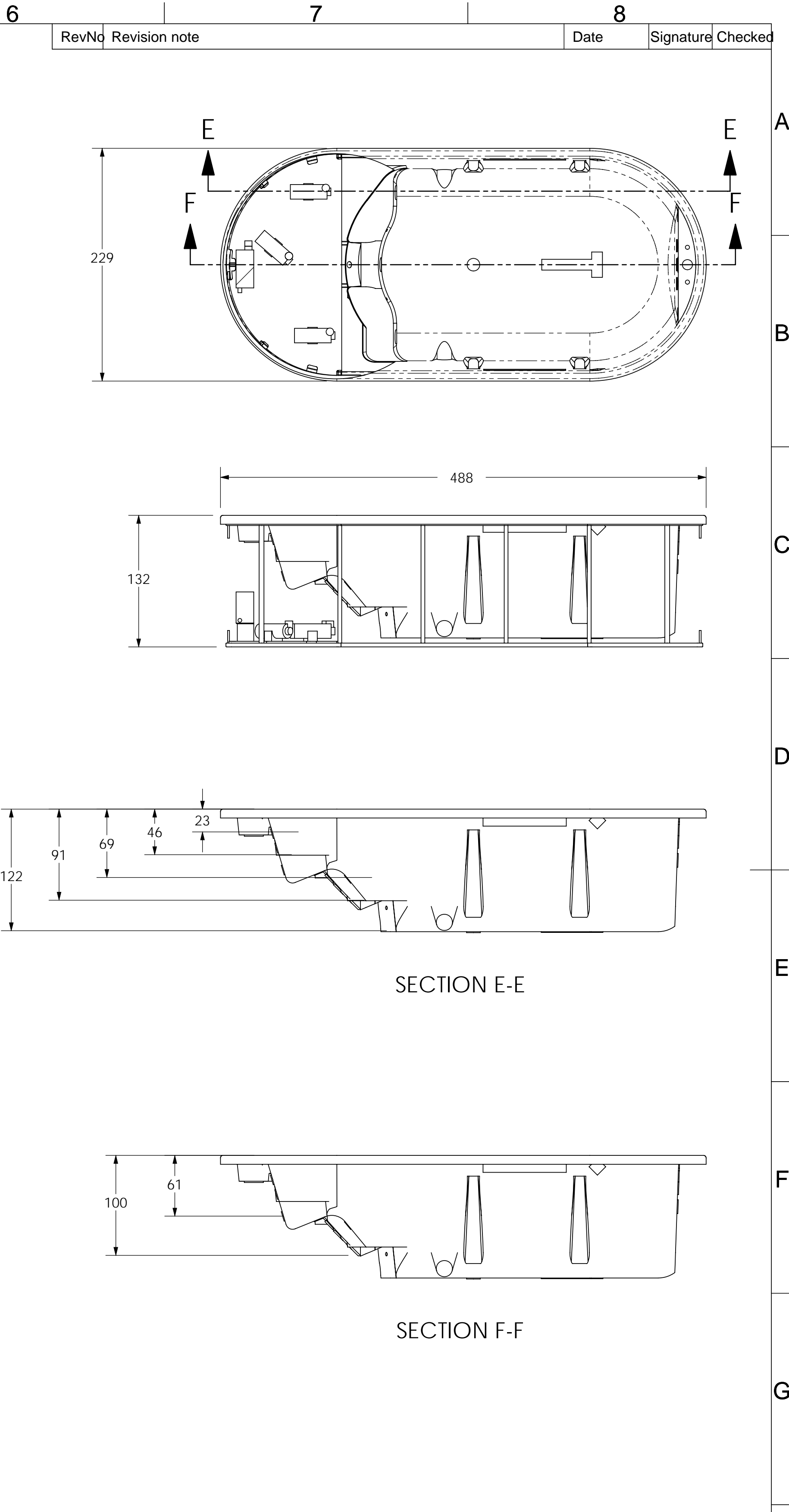
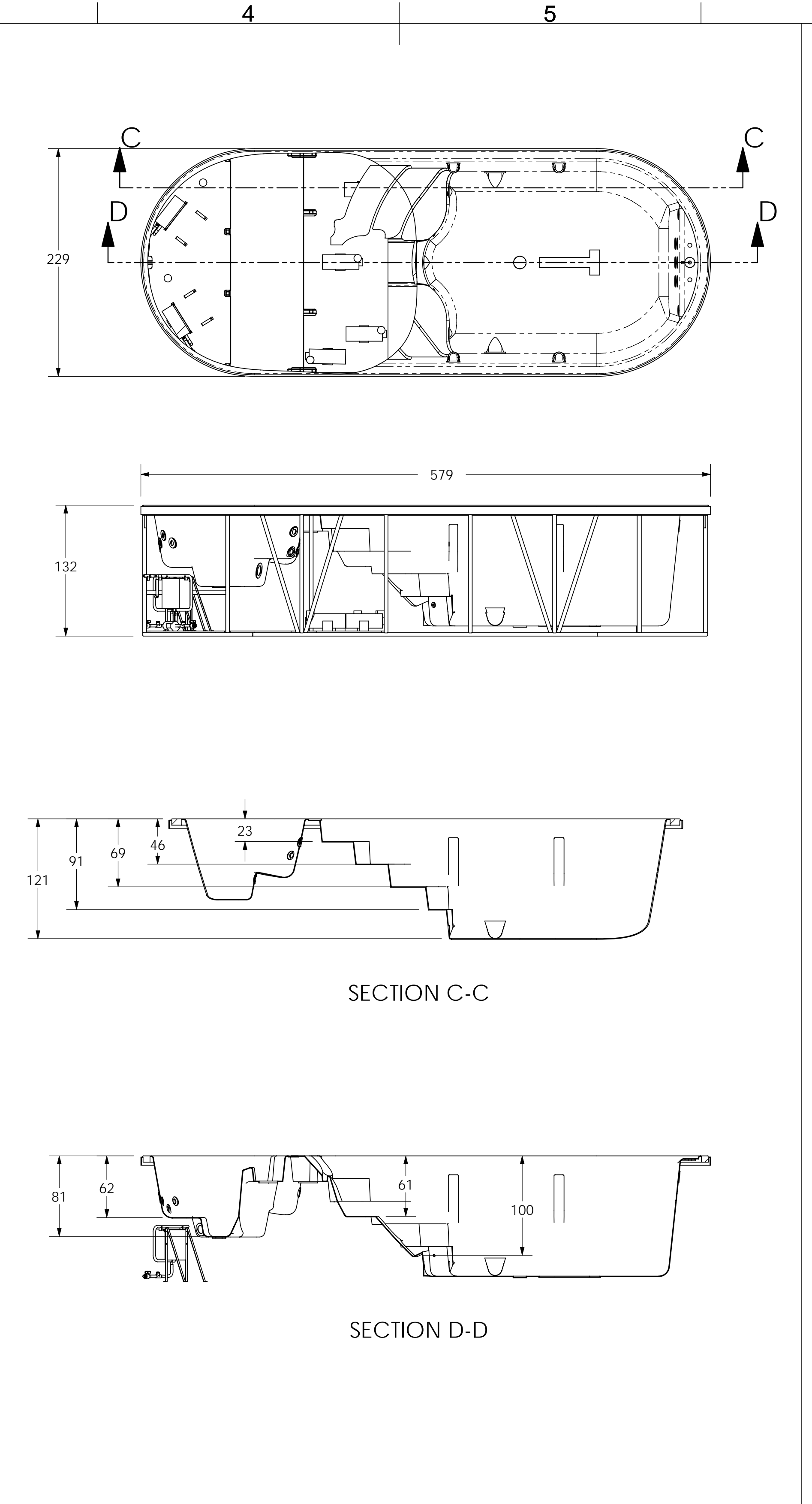
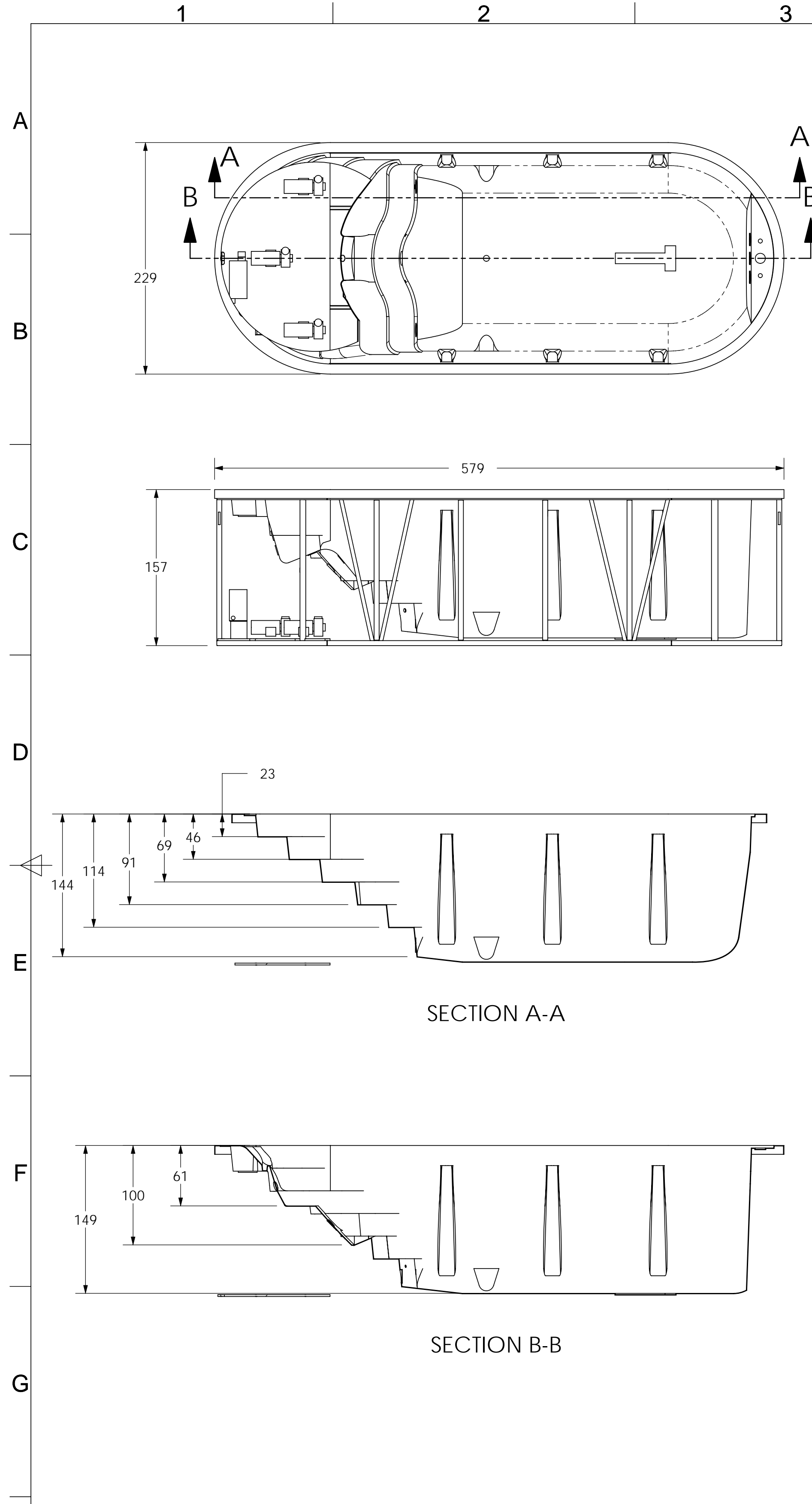
- INSTALL SPA AT LEAST 5 FEET FROM ALL UNBONDED METAL SURFACES
- ELECTRICAL SUPPLY FOR THE SPA MUST COMPLY WITH SECTION 680-42 OF THE NATIONAL ELECTRICAL CODE, ANSI/NFPA 70-1993
- THE ELECTRICAL DISCONNECT (GFCI) MUST BE IN LINE OF SIGHT OF THE SPA, AT LEAST 152 cm AWAY, BUT NOT MORE THAN 1524 cm
- SUPPLY WIRE MUST BE A MINIMUM #6 AWG COPPER OR OTHER APPROVED BY LOCAL CODES AND GUIDELINES DEPENDING ON INSTALLATION
- WITH LX-15 LOWER CONTROL: MINIMUM 60 AMP SERVICE REQUIRED FOR SPAS WITH LOAD SHARING. WITH GECKO M-CLASS LOWER CONTROL: MINIMUM 40 AMP SERVICE REQUIRED FOR SPAS WITH LOAD SHARING
- WITH LX-15 LOWER CONTROL: NON LOAD SHARING SPAS WILL REQUIRE (1) 60 AMP + (1) 50 AMP SERVICE. WITH GECKO M-CLASS LOWER CONTROL: NON LOAD SHARING SPAS WILL REQUIRE (1) 50 AMP SERVICE
- DUAL TEMP WILL REQUIRE (1) ADDITIONAL 40 AMP SERVICE.
- ALL WORKS & MATERIALS SHALL BE IN FULL ACCORDANCE W/ THE NATIONAL ELECTRICAL CODE (ENFORCED BY LOCAL AUTHORITY) & ALL APPLICABLE STATE & LOCAL LAWS & REGULATIONS. NOTHING IN THESE PLANS OR SPECS SHALL BE CONSTRUCTED AS TO PERMIT WORK NOT CONFORMING TO THE MOST STRINGENT OF THESE CODES. SHOULD CHANGES BE NECESSARY IN THE DWGS OR SPECS TO MAKE WORK COMPLY W/THESE REQUIREMENTS, THE SUBCONTRACTOR SHALL IMMEDIATELY (ESPECIALLY BEFORE BIDDING SUBMITTAL) NOTIFY OWNER/ARCH IN WRITING & CEASE WORK ON PARTS ON THE CONTRACT WHICH ARE AFFECTED

**GENERAL NOTES & CONDITIONS** SCALE: NONE N.T.S. 5

Itemref	Quantity	Title/Name, designation, material, dimension etc	Article No./Reference
Designed by	Checked by	Approved by - date	Filename
V Walker	Angelo P		
Date	1-27-02	Scale	N.T.S.

**DIMENSION ONE SPAS**

Doc#	CR#	Edition	Sheet
199	4302	C	2 OF 3



AQUAPRO 19

SCALE: VARIES 1

AQUAFIT 19 DUAL TEMP

SCALE: VARIES 2

AQUAFIT 16

SCALE: VARIES 3

NOTE:  
DUE TO MANUFACTURING TOLERANCES THERE COULD BE SOME MINOR DIFFERENCES BETWEEN THE ACTUAL MEASUREMENTS OF YOUR SPA AND THIS DRAWING. IF SITE PLANNING IS CRITICAL TO SUCH TOLERANCES, BE SURE TO MEASURE YOUR ACTUAL SPA.

Itemref	Quantity	Title/Name, designation, material, dimension etc			Article No./Reference	
Designed by V Walker	Checked by Angelo P	Approved by - date	Filename	Date 1-27-02	Scale NTS	
<b>DIMENSION ONE SPAS</b>						
Doc# 199	CR# 4302			Edition C	Sheet 3 OF 3	